

**MW-POWER и WÄRTSILÄ**

**Комбинированная станция GAS-BIO CHP POWER PLANT**

# **MW-POWER and WÄRTSILÄ COMBINED GAS-BIO CHP POWER PLANT**

**TIMO MAHLANEN**

**WÄRTSILÄ POWER PLANT**



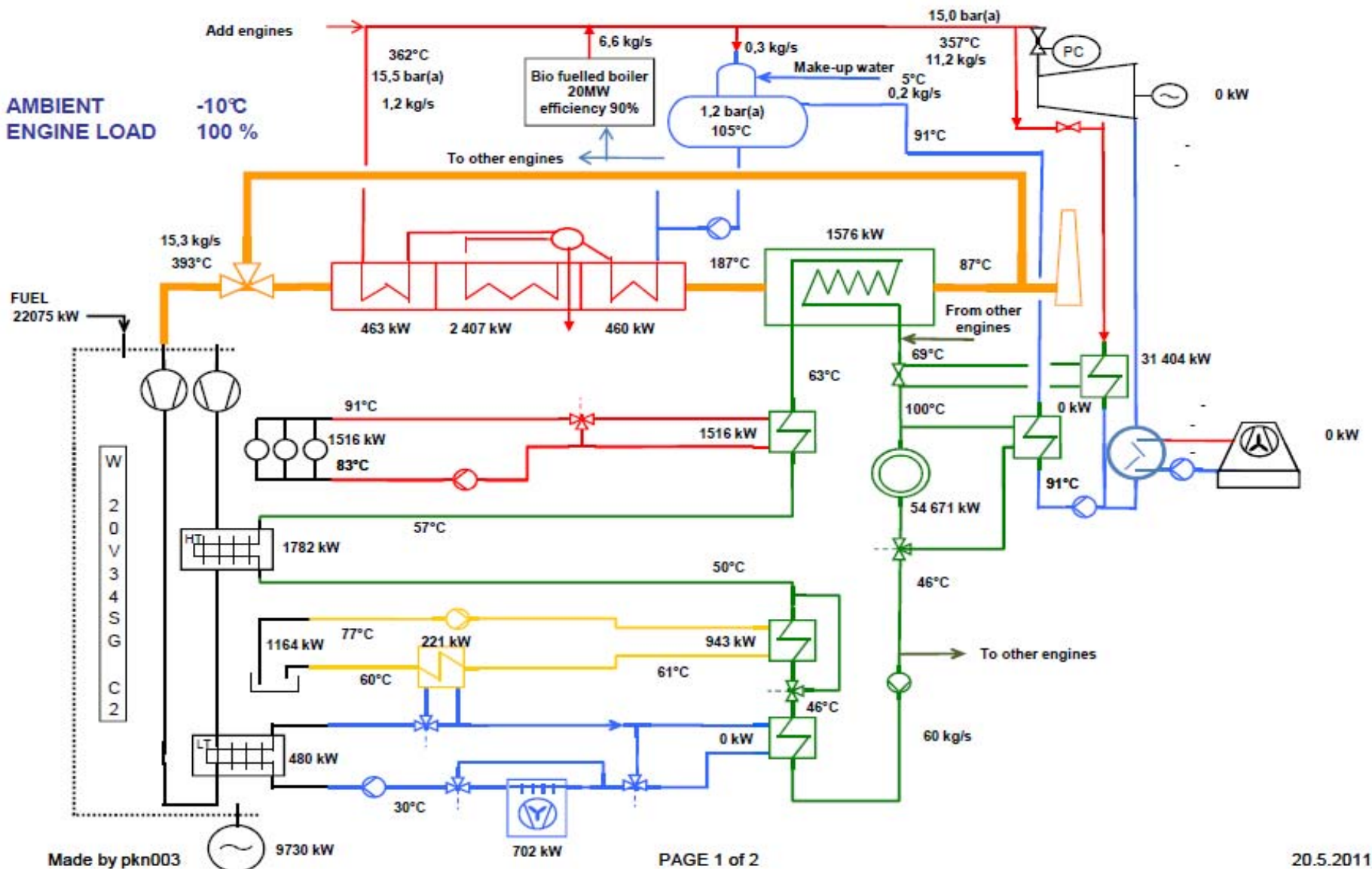
# WHY Gas-Bio CHP Power Plant

- There are need to use renewable energy, or local fuel source.
  - Need can political, cost or just support local community
- Normally transport distance or availability of local fuels limited the size of plant.
- During coldest winter period all extra heat can be use by CHP system.
- During warmer period power plant can be run at combi-cycle mode.
- System have high flexibility between CC and heat mode.
- Costly steam generator investment repayment period is sort due higher capacity when needed.

# BIO-Smart solutions, winter

4x20V34SG+bio fuel boiler+CC(80% gas+20% bio fuel)

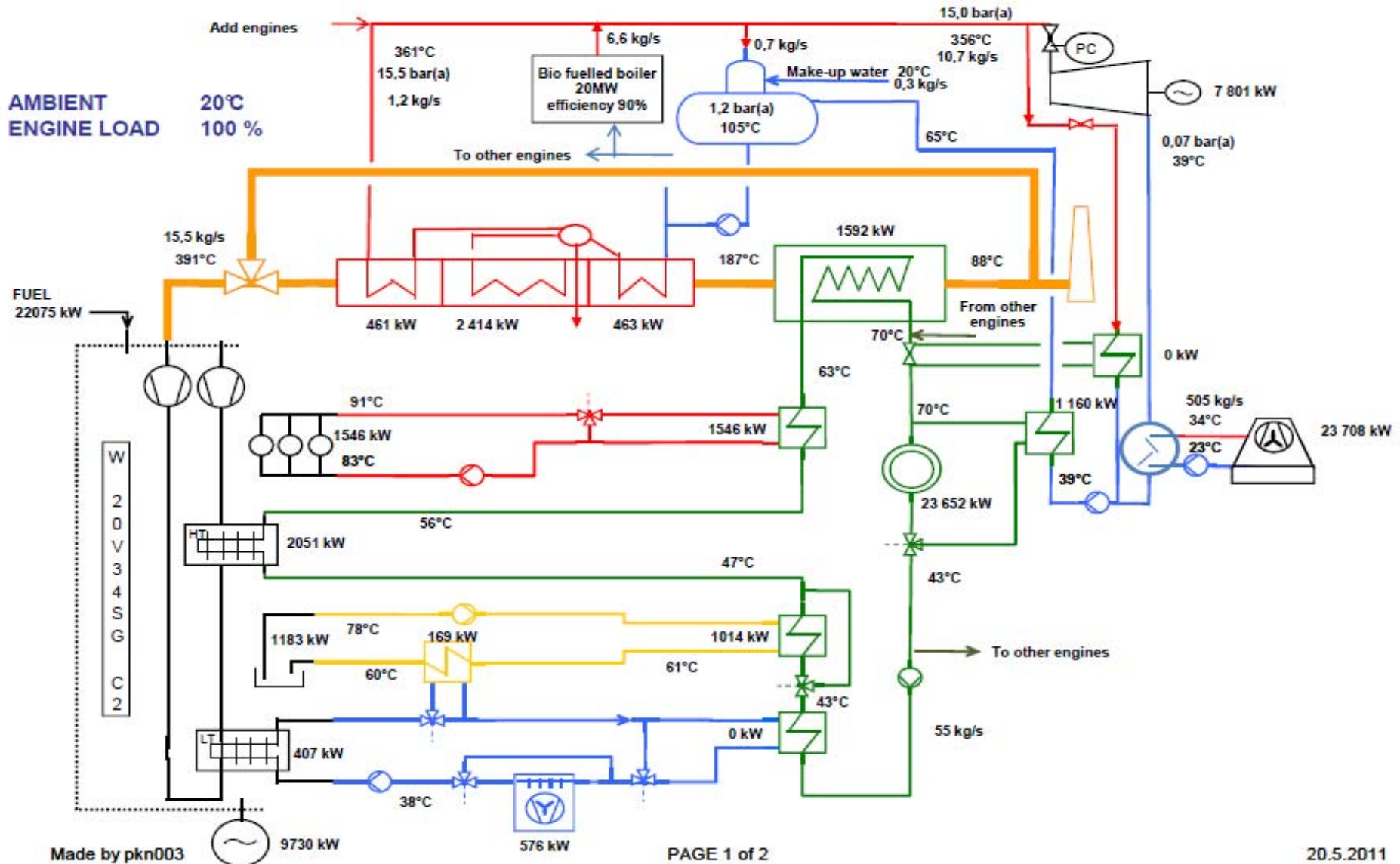
Wärtsilä / Product Centre Ecotech



# BIO Smart solutions, summer

4x20V34SG+bio fuel boiler+CC(80% gas+20% bio fuel)

Wärtsilä / Product Centre Ecotech



Made by pkn003

PAGE 1 of 2

20.5.2011



**Thank You**  
[timo.mahlanen@wartsila.com](mailto:timo.mahlanen@wartsila.com)