

Strategies and options for using wood pellets for heating

Christian Rakos, proPellets Austria

proPellets Austria

- » Funded 2005, 59 companies are member
- » Pellet manufacturers
- » Stove & furnace manufacturers
- » Equipment suppliers
- » Companies active in the value chain
- » Investors

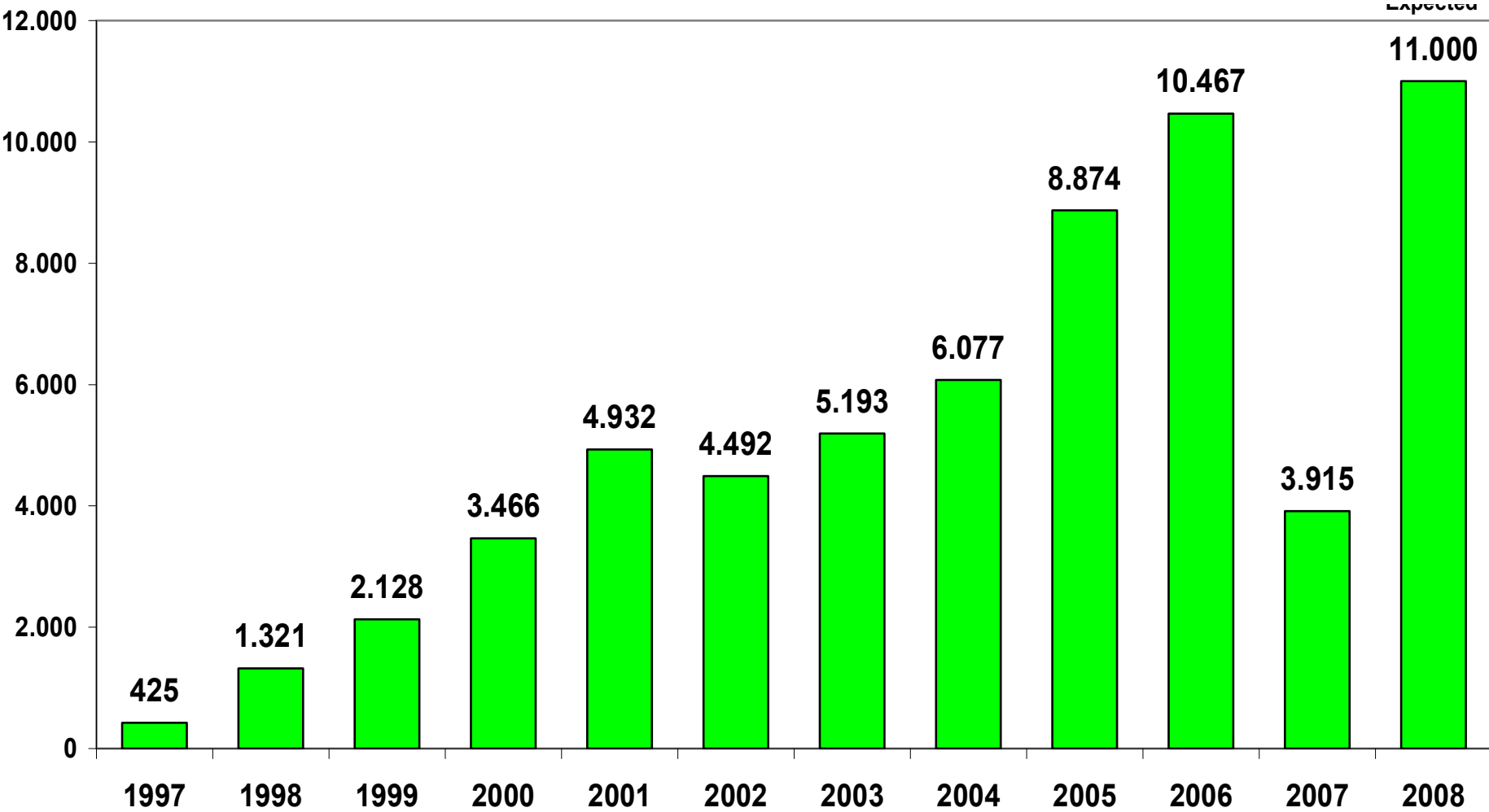
Key activities

- » Public relations
- » Lobbying
- » Market monitoring
- » Networking with our members
- » International networking & facilitation of business contacts

The use of pellets for residential heating is a success story in Austria

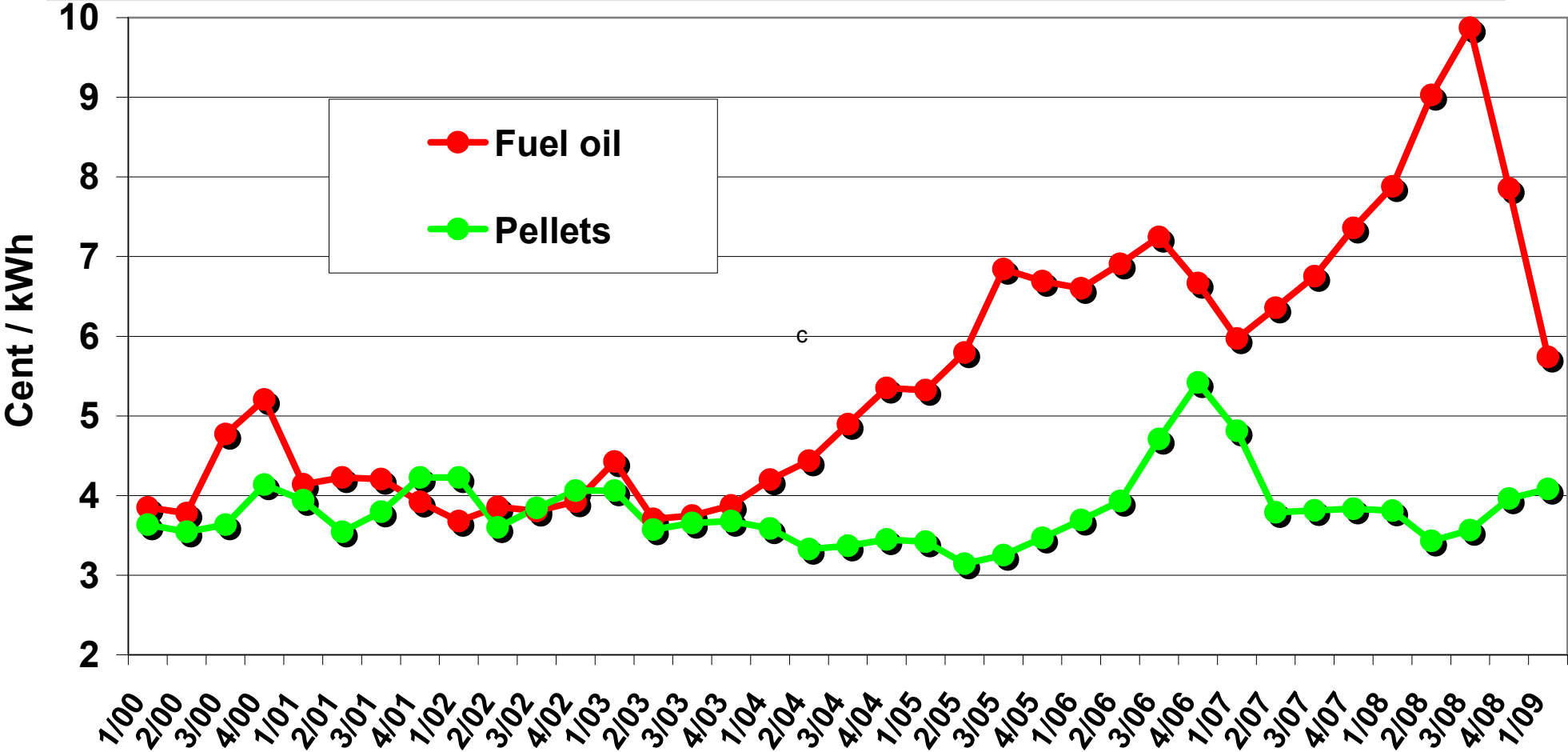
- » Strong market growth since 12 years
- » Significant economic advantages
- » excellent environmental performance of pellet heating

Sales of residential pellet boilers in Austria



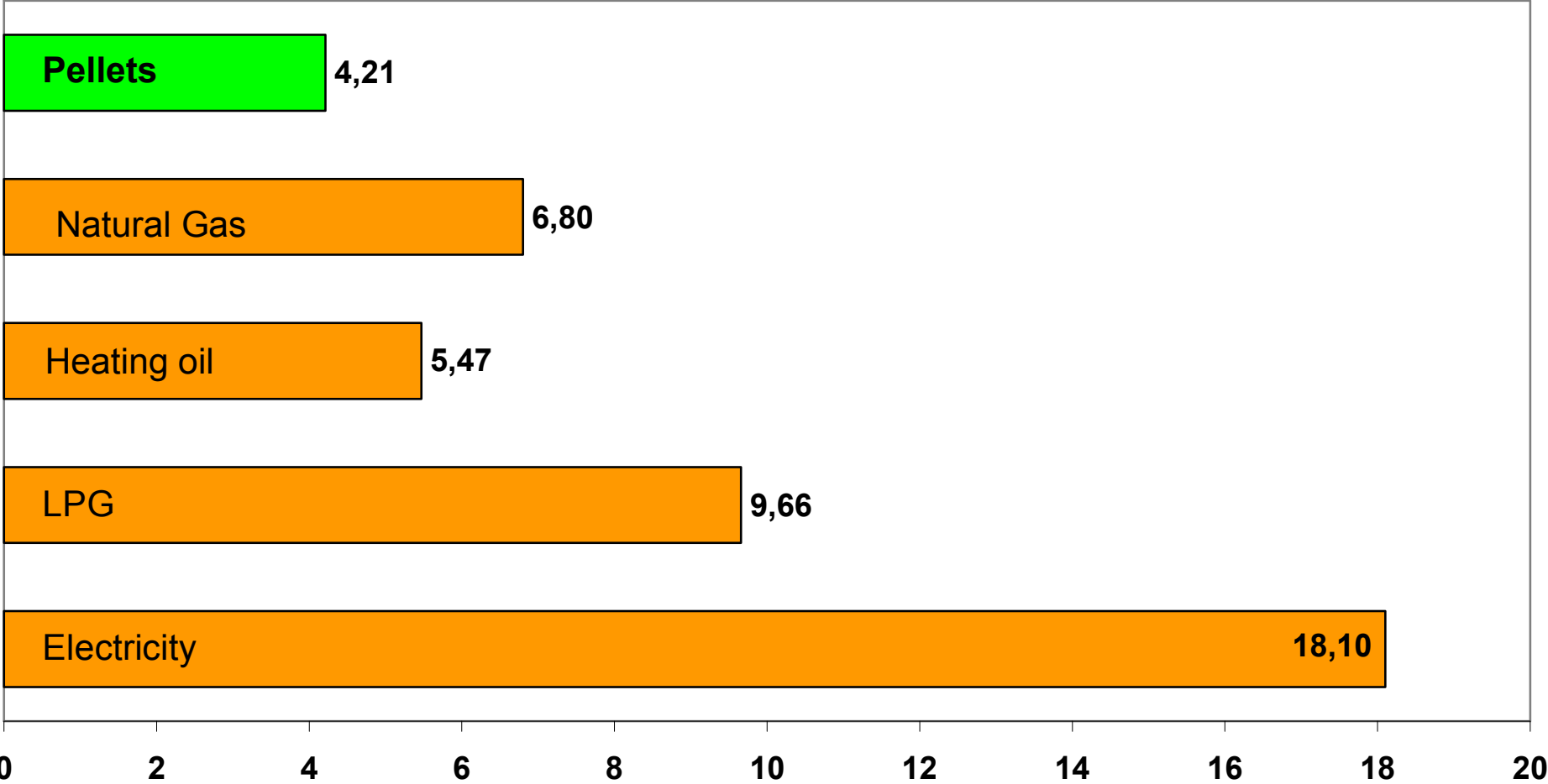
Source: proPellets Austria, Aug. 2008

Fuel Oil and Pellet price in Cent / kWh



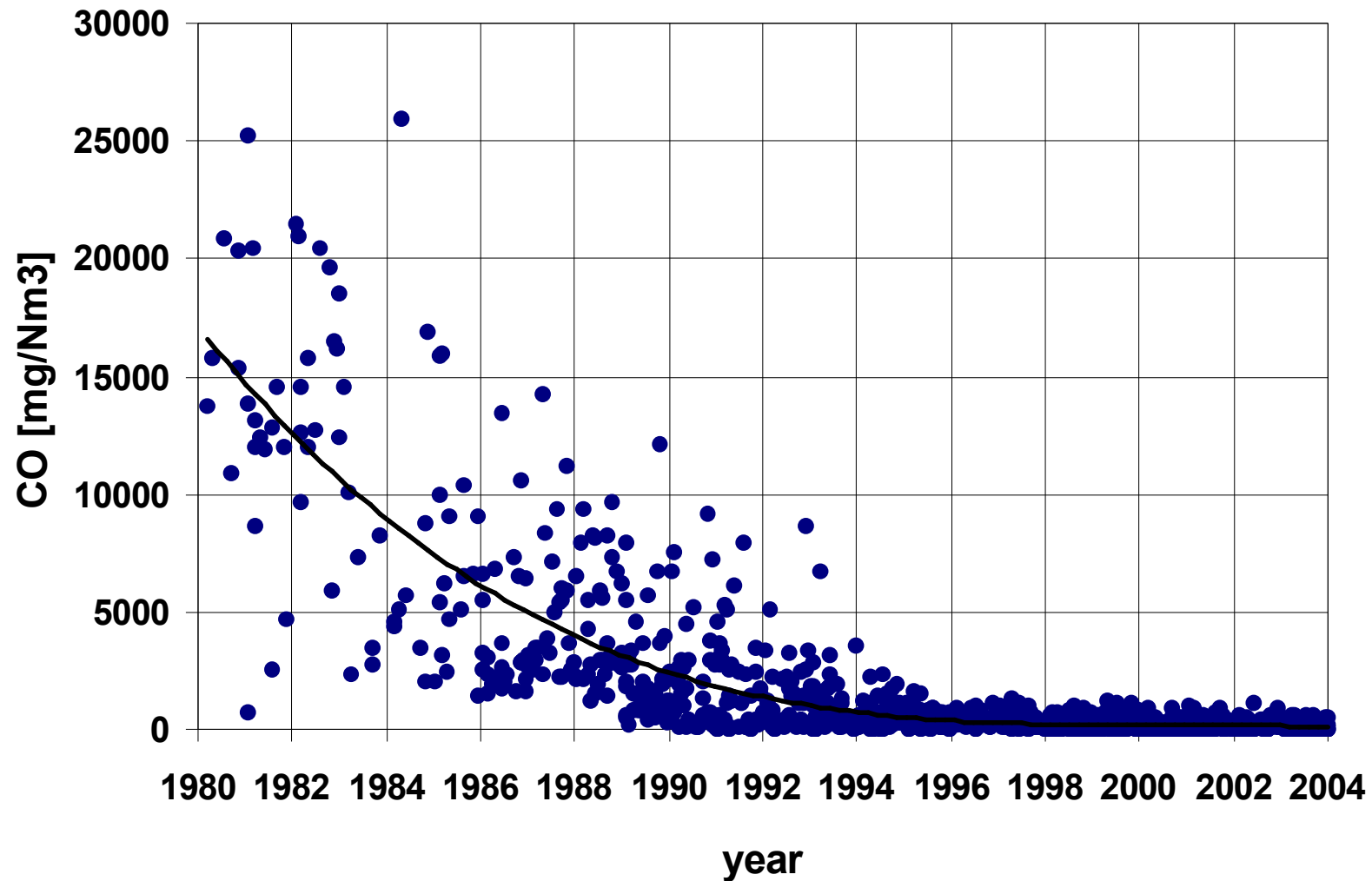
Source: proPellets Austria, IWO; January 7th, 2009

Fuel costs for residential heating (cent / kWh)

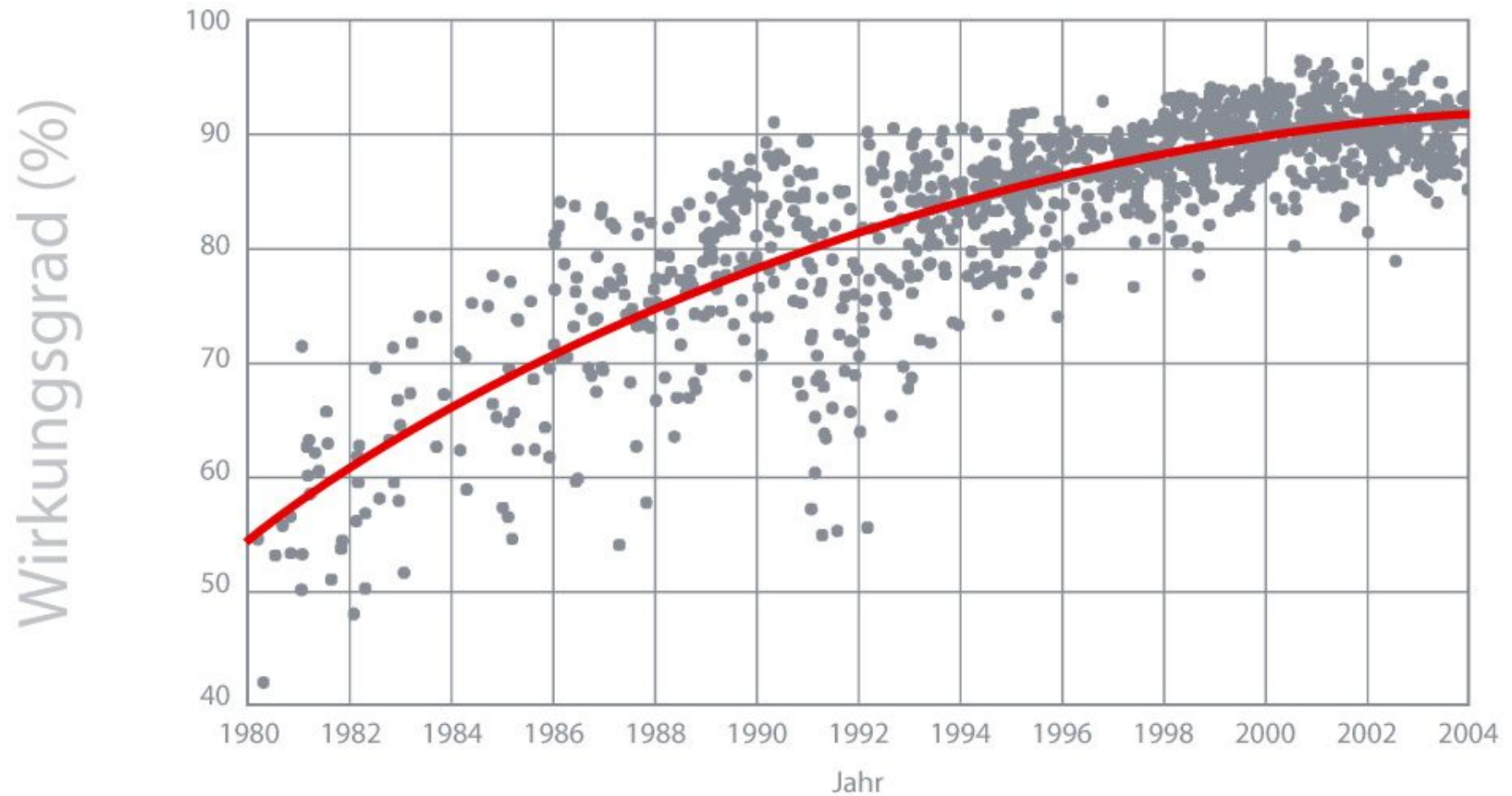


Sources: E-Control, IWO, Primagaz, proPellets Austria; March 11th, 2009

Emissions of wood boilers for residential heating tested in Austria



Efficiency improvement of Austrian wood boilers



Wirkungsgrad von österreichischen Holzfeuerungen gemessen an der Bundesanstalt für Landtechnik
Wieselburg (BLT), 2005

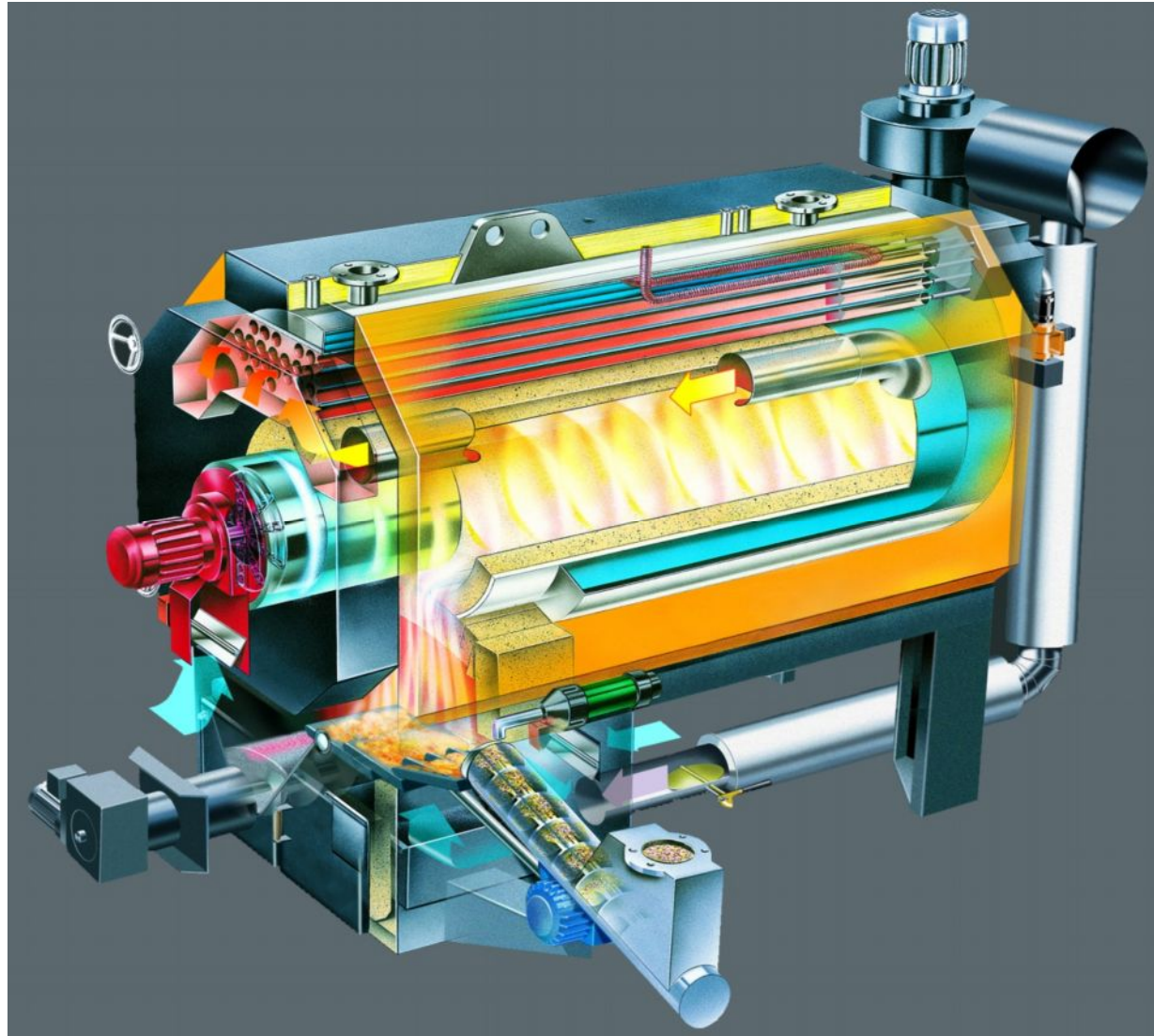
Why did these improvements take place ?

- » Strict environmental legislation
- » Obligation for type approval of wood boilers & stoves – competition for quality
- » 20 years of public funded R&D programs
- » Significant interest of consumers

Systems for residential heating: pellet stoves and pellet boilers



Pellet boiler for residential blocks and commercial heating



Using pellets for heat is more economic and effective for reaching the EU directive target for 2020

using 100.000t of pellets over 15 years	residential heating (stoves)	power production (cofiring)
No. of units	50.000	1
subsidy type	50% of investment, 1000€/unit	6 cent/kWh
subsidy required	50 Million €	176 Million €
savings for consumer (15 years)	191 Million €	0
gross final energy supplied	7.350 GWh	2.940 GWh

Austrian companies offering high quality pellet heating equipment

- » Pellet stoves: RIKA, CALIMAX
- » Pellet boilers for residential heating (< 50kW): BIOTECH, BÖSCH, FRÖLING, HARGASSNER, KÖB, KWB, SHT, SOLARFOCUS and others
- » Pellet and chip boilers for commercial heating (50-500 kW): BIOTECH; FRÖLING; HARGASSNER; KÖB; KWB ...
- » Large Biomass boilers (500 – 15.000kW) & CHP plants: BINDER, KOHLBACH, POLYTECHNIK, MAWERA, URBAS

What we can offer to you

- » Establish contacts to our member companies
- » Help setting up visits to Austria
- » Help setting up pellet association
- » Information about effective policies
- » Contact me at rakos@propellets.at ,
Mobile phone: +43 664 514 6412

Thank you for your kind attention !

Wir sind
pro»pellets