

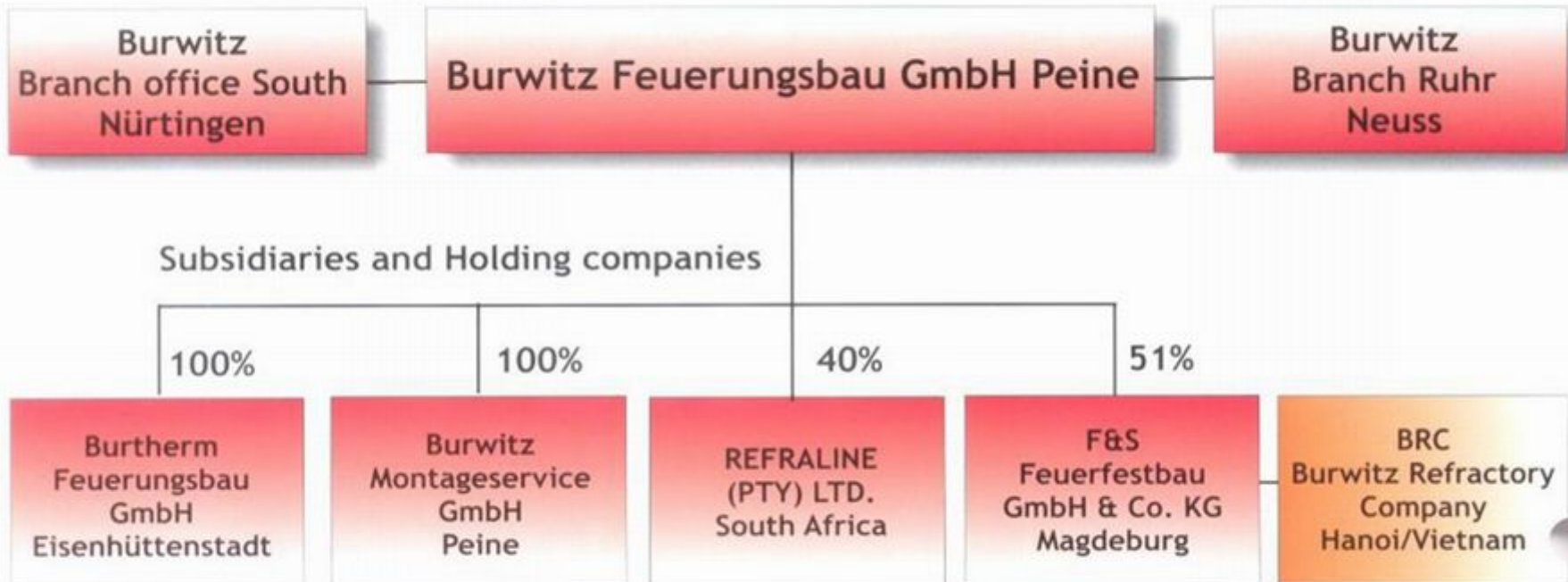
Feuerfeste Zustellmöglichkeiten in Müllverbrennungsanlagen





Burwitz - Group

member of the Beroa-Group

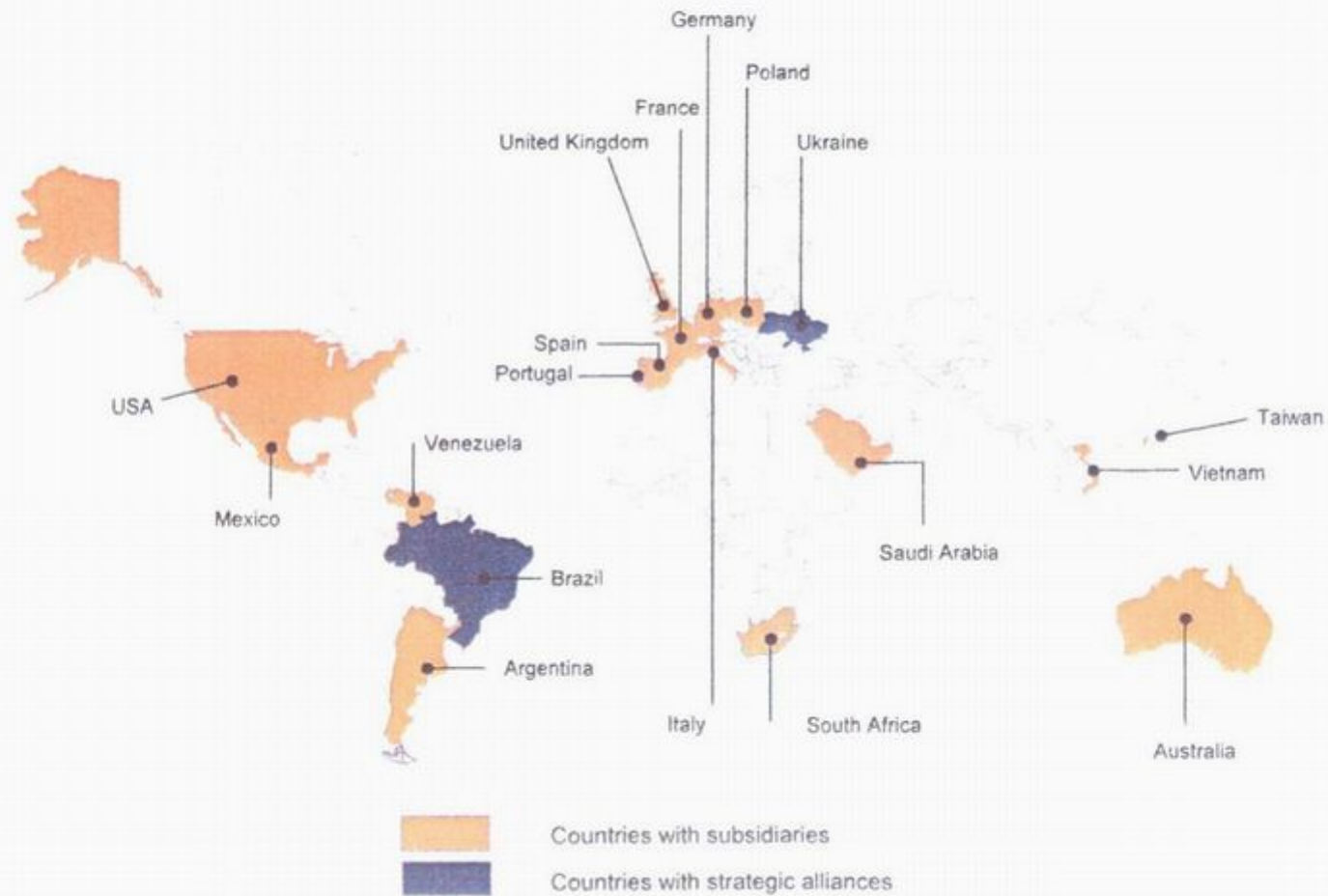




2.1. Global Footprint of BEROA



- BEROA has companies and subsidiaries covering most of the world market





2.2. Refractory Lining



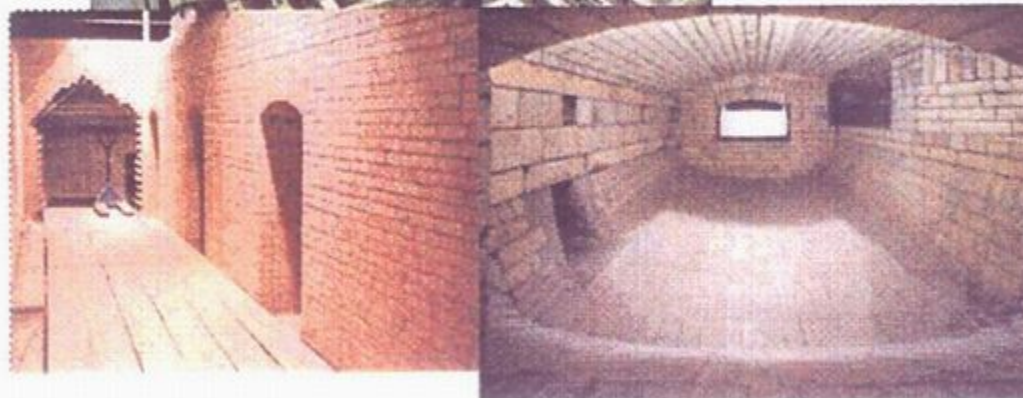
- Offering all application fields throughout the network of companies and subsidiaries
- Represents 55% of Revenues

SCOPE

Engineering

Material Supply

Installation



MARKETS

Energy

Ind. Furnaces
Cement, Lime & Non-Fer.

Steel Ind.

Glass Ind.

Chem. & Petr.

Environment



2.2. Chimney Construction

- Application: Power generation and production processes
- Represents 30% of Revenues

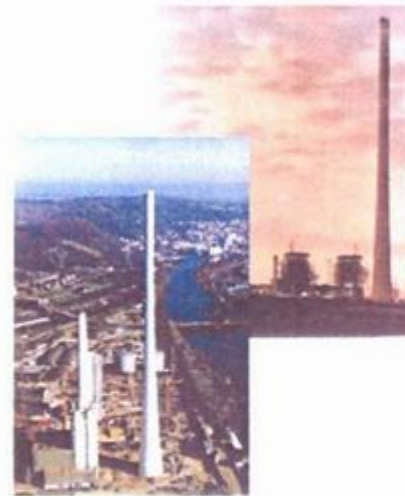
SCOPE

Design

Material Supply

Construction

Repairs



MARKETS

Power Generation

Steel Ind.

Cement Ind.

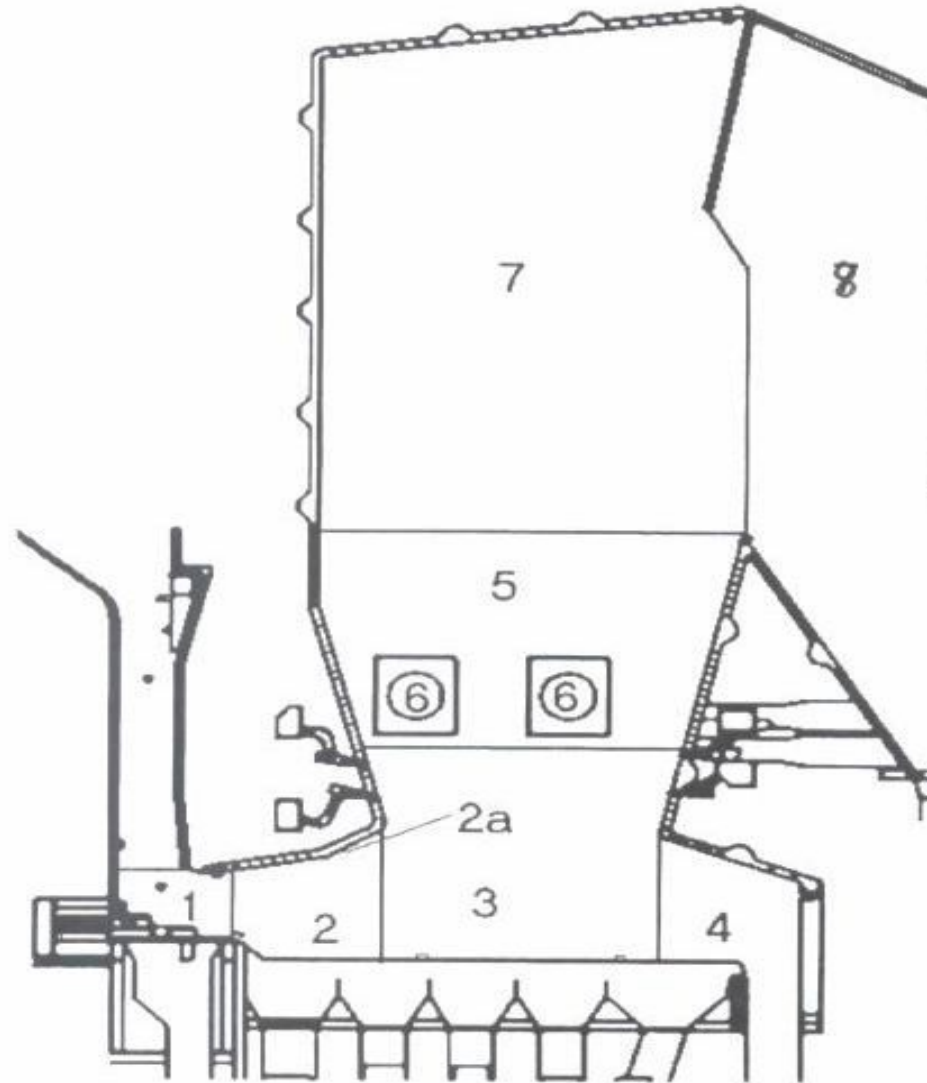
Glass Ind.

Chemical Ind.

Petrochem. Ind.

Environment





1 Zuteilerbereich
 2 Trocknung + Entgasung, Zündung
 2a Zünddecke
 3 Verbrennungszone
 4 Ausbrandbereich

5 Nachverbrennungsraum
 6 Zusatzbrenner
 7 Strahlungsbereich
 8 Konvektionsbereich



